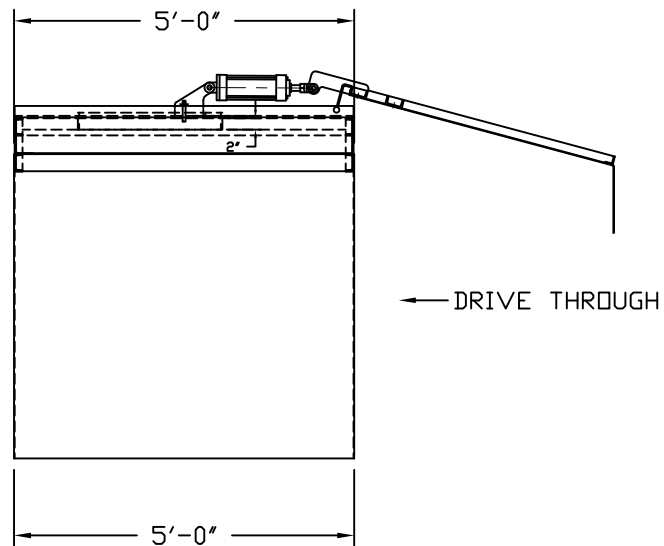
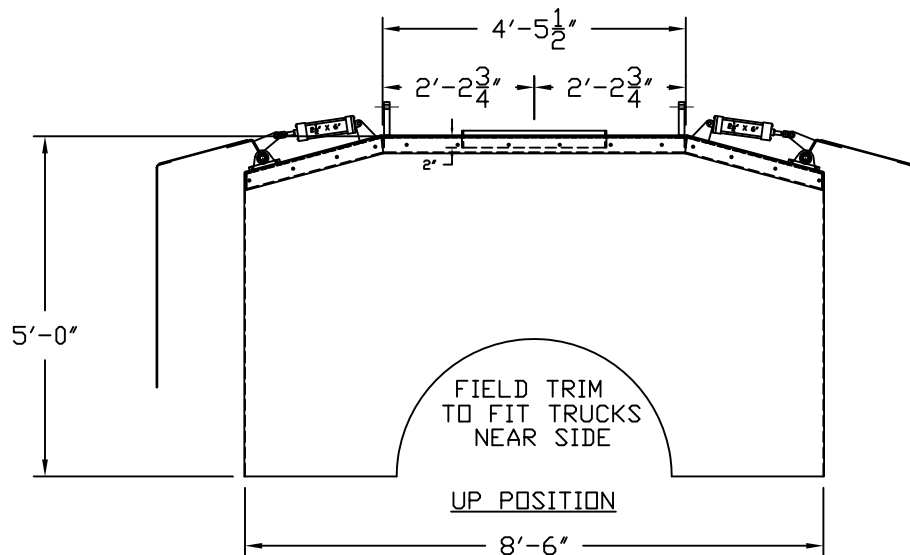
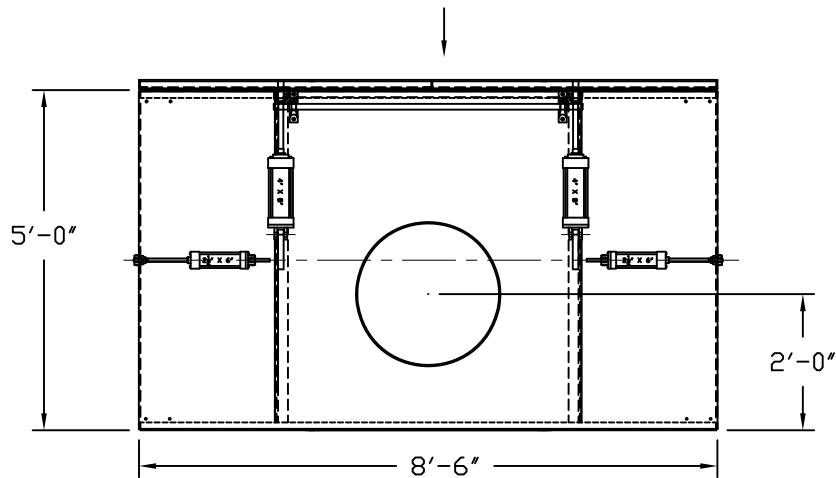



DRIVE THROUGH



ITEM	PART NO.	DESCRIPTION	QTY
TITLE		BY	B.D.
5'-0" X 8'-6" EZC		DATE	3-17-07
DRIVE-THRU SHROUD		DWG.NO.	S-409
		 1-866-817-7838	
		REV	

THIS DRAWING IN DESIGN AND DETAIL IS OUR PROPERTY AND MUST NOT BE USED EXCEPT IN CONNECTION WITH OUR WORK. ALL RIGHTS OF DESIGN OR INVENTION ARE RESERVED. DIMENSIONS AS INDICATED. DO NOT SCALE.