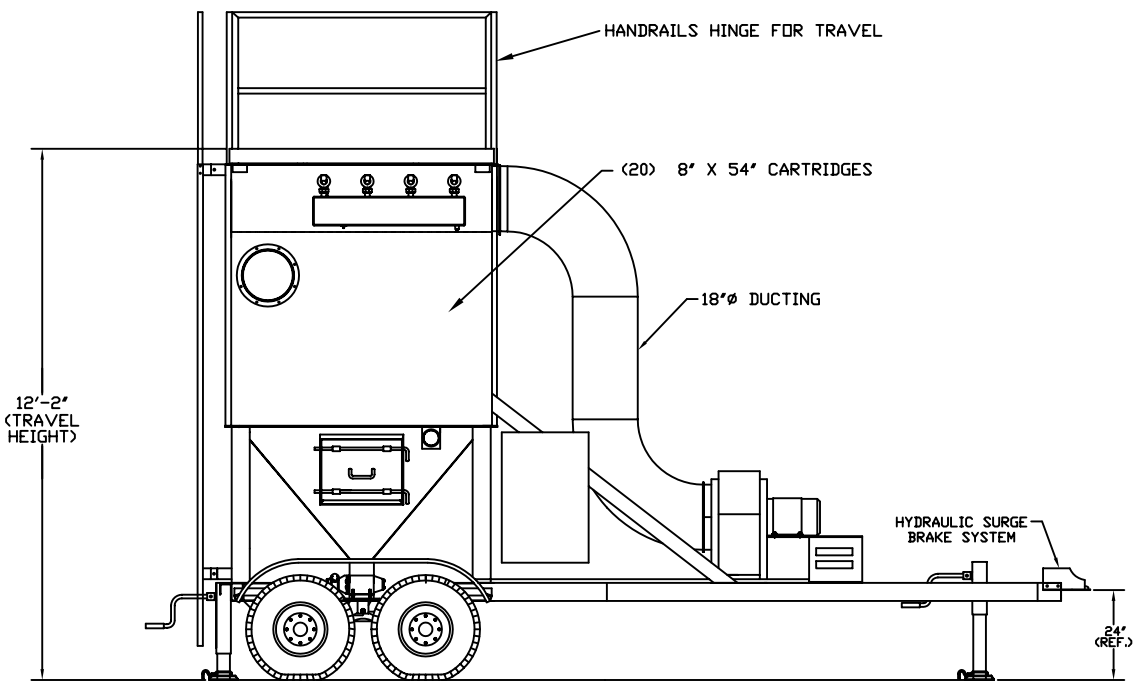


**TOP VIEW**



**SIDE VIEW**

**PJC-1000 MOBILE DUST COLLECTOR**  
**1000 SQ.FT. FILTRATION AREA, 15H.P. BLOWER**

THIS DRAWING IN DESIGN AND DETAIL IS OUR PROPERTY AND MUST NOT BE USED EXCEPT IN CONNECTION WITH OUR WORK. ALL RIGHTS OF DESIGN OR INVENTION ARE RESERVED. DIMENSIONS AS INDICATED. DO NOT SCALE.

BY	ST
DATE	6-22-04
DWG.NO.	<b>S-237</b>



**R&S INDUSTRIES**

1-866-817-7838

REV